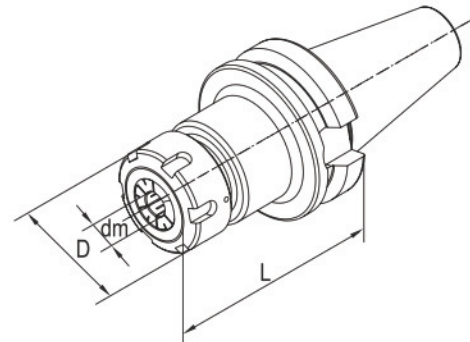
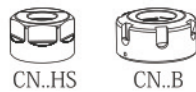


## ER COLLET CHUCK

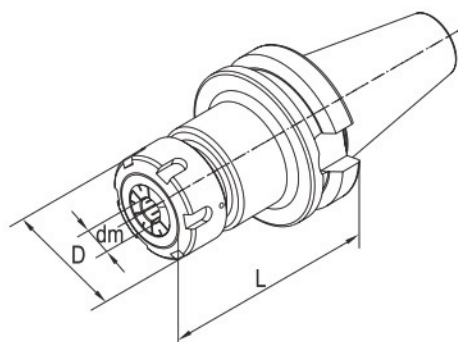
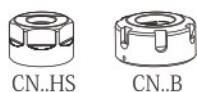
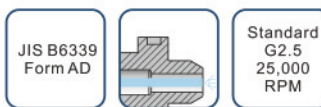
- Radial run-out less than 0.01mm.
- Constructed of alloy steel for long, durable service life.
- For clamping tools with plain shank in collets to DIN6499.
- Supplied with high performance clamping nut.



Order No.	Model	Shank	Size(mm)			Nuts	Screw	For Collets	Wrench
			dm	D	L				
122-04-301	BT30-ER11-60	BT30-AD	0.5-7	19	60	CN11HS	SER11C	ER11	W17D
122-04-302	BT30-ER11-90	BT30-AD	0.5-7	19	90	CN11HS	SER11C	ER11	W17D
122-04-303	BT30-ER16-60	BT30-AD	0.5-10	28	60	CN16HS	SER16C	ER16	W25D
122-04-304	BT30-ER16-90	BT30-AD	0.5-10	28	90	CN16HS	SER16C	ER16	W25D
122-04-305	BT30-ER16-120	BT30-AD	0.5-10	28	120	CN16HS	SER16C	ER16	W25D
122-04-306	BT30-ER20-60	BT30-AD	1.0-13	34	60	CN20HS	SER20C	ER20	W30D
122-04-307	BT30-ER20-90	BT30-AD	1.0-13	34	90	CN20HS	SER20C	ER20	W30D
122-04-308	BT30-ER20-120	BT30-AD	1.0-13	34	120	CN20HS	SER20C	ER20	W30D
122-04-309	BT30-ER25-60	BT30-AD	1.0-16	42	60	CN25B	SER25C	ER25	YER25B
122-04-310	BT30-ER25-90	BT30-AD	1.0-16	42	90	CN25B	SER25C	ER25	YER25B
122-04-311	BT30-ER25-120	BT30-AD	1.0-16	42	120	CN25B	SER25C	ER25	YER25B
122-04-312	BT30-ER32-60	BT30-AD	2.0-20	50	60	CN32B	SER32C	ER32	YER32B
122-04-313	BT30-ER32-90	BT30-AD	2.0-20	50	90	CN32B	SER32C	ER32	YER32B
122-04-401	BT40-ER11-70	BT40-AD	0.5-7	19	70	CN11HS	SER11C	ER11	W17D
122-04-402	BT40-ER11-120	BT40-AD	0.5-7	19	120	CN11HS	SER11C	ER11	W17D
122-04-403	BT40-ER16-70	BT40-AD	0.5-10	28	70	CN16HS	SER16C	ER16	W25D
122-04-404	BT40-ER16-100	BT40-AD	0.5-10	28	100	CN16HS	SER16C	ER16	W25D
122-04-405	BT40-ER16-120	BT40-AD	0.5-10	28	120	CN16HS	SER16C	ER16	W25D
122-04-406	BT40-ER16-150	BT40-AD	0.5-10	28	150	CN16HS	SER16C	ER16	W25D
122-04-407	BT40-ER20-80	BT40-AD	1.0-13	34	80	CN20HS	SER20C	ER20	W30D
122-04-408	BT40-ER20-100	BT40-AD	1.0-13	34	100	CN20HS	SER20C	ER20	W30D
122-04-409	BT40-ER20-120	BT40-AD	1.0-13	34	120	CN20HS	SER20C	ER20	W30D
122-04-410	BT40-ER20-150	BT40-AD	1.0-13	34	150	CN20HS	SER20C	ER20	W30D
122-04-411	BT40-ER25-80	BT40-AD	1.0-16	42	80	CN25B	SER25C	ER25	YER25B
122-04-412	BT40-ER25-100	BT40-AD	1.0-16	42	100	CN25B	SER25C	ER25	YER25B
122-04-413	BT40-ER25-120	BT40-AD	1.0-16	42	120	CN25B	SER25C	ER25	YER25B
122-04-414	BT40-ER25-150	BT40-AD	1.0-16	42	150	CN25B	SER25C	ER25	YER25B
122-04-415	BT40-ER32-60	BT40-AD	2.0-20	50	60	CN32B	SER32C	ER32	YER32B
122-04-416	BT40-ER32-80	BT40-AD	2.0-20	50	80	CN32B	SER32C	ER32	YER32B
122-04-417	BT40-ER32-100	BT40-AD	2.0-20	50	100	CN32B	SER32C	ER32	YER32B
122-04-418	BT40-ER32-120	BT40-AD	2.0-20	50	120	CN32B	SER32C	ER32	YER32B
122-04-419	BT40-ER32-150	BT40-AD	2.0-20	50	150	CN32B	SER32C	ER32	YER32B
122-04-420	BT40-ER40-80	BT40-AD	3.0-26	63	80	CN40B	SER40C	ER40	YER40B
122-04-421	BT40-ER40-100	BT40-AD	3.0-26	63	100	CN40B	SER40C	ER40	YER40B
122-04-422	BT40-ER40-120	BT40-AD	3.0-26	63	120	CN40B	SER40C	ER40	YER40B
122-04-423	BT40-ER40-150	BT40-AD	3.0-26	63	150	CN40B	SER40C	ER40	YER40B

## ER COLLET CHUCK

- Radial run-out less than 0.01mm.
- Constructed of alloy steel for long, durable service life.
- For clamping tools with plain shank in collets to DIN6499.
- Supplied with high performance clamping nut.



Order No.	Model	Shank	Size(mm)			Nuts	Screw	For Collets	Wrench
			dm	D	L				
122-04-501	BT50-ER16-80	BT50-AD	0.5-10	28	80	CN16HS	SER16C	ER16	W25D
122-04-502	BT50-ER16-100	BT50-AD	0.5-10	28	100	CN16HS	SER16C	ER16	W25D
122-04-503	BT50-ER16-120	BT50-AD	0.5-10	28	120	CN16HS	SER16C	ER16	W25D
122-04-504	BT50-ER16-165	BT50-AD	0.5-10	28	165	CN16HS	SER16C	ER16	W25D
122-04-505	BT50-ER20-80	BT50-AD	1.0-13	34	80	CN20HS	SER20C	ER20	W30D
122-04-506	BT50-ER20-100	BT50-AD	1.0-13	34	100	CN20HS	SER20C	ER20	W30D
122-04-507	BT50-ER20-120	BT50-AD	1.0-13	34	120	CN20HS	SER20C	ER20	W30D
122-04-508	BT50-ER20-135	BT50-AD	1.0-13	34	135	CN20HS	SER20C	ER20	W30D
122-04-509	BT50-ER20-165	BT50-AD	1.0-13	34	165	CN20HS	SER20C	ER20	W30D
122-04-510	BT50-ER25-80	BT50-AD	1.0-16	42	80	CN25B	SER25C	ER25	YER25B
122-04-511	BT50-ER25-100	BT50-AD	1.0-16	42	100	CN25B	SER25C	ER25	YER25B
122-04-512	BT50-ER25-120	BT50-AD	1.0-16	42	120	CN25B	SER25C	ER25	YER25B
122-04-513	BT50-ER25-165	BT50-AD	1.0-16	42	165	CN25B	SER25C	ER25	YER25B
122-04-514	BT50-ER32-90	BT50-AD	2.0-20	50	90	CN32B	SER32C	ER32	YER32B
122-04-515	BT50-ER32-100	BT50-AD	2.0-20	50	100	CN32B	SER32C	ER32	YER32B
122-04-516	BT50-ER32-120	BT50-AD	2.0-20	50	120	CN32B	SER32C	ER32	YER32B
122-04-517	BT50-ER32-165	BT50-AD	2.0-20	50	165	CN32B	SER32C	ER32	YER32B
122-04-518	BT50-ER32-200	BT50-AD	2.0-20	50	200	CN32B	SER32C	ER32	YER32B
122-04-519	BT50-ER32-250	BT50-AD	2.0-20	50	250	CN32B	SER32C	ER32	YER32B
122-04-520	BT50-ER40-100	BT50-AD	3.0-26	63	100	CN40B	SER40C	ER40	YER40B
122-04-521	BT50-ER40-120	BT50-AD	3.0-26	63	120	CN40B	SER40C	ER40	YER40B
122-04-522	BT50-ER40-165	BT50-AD	3.0-26	63	165	CN40B	SER40C	ER40	YER40B
122-04-523	BT50-ER40-200	BT50-AD	3.0-26	63	200	CN40B	SER40C	ER40	YER40B

## ER COLLET CHUCK & COLLET SET

- Each set including 1pc of BT40-AD ER collet chuck and 9pc of ER collets,
- Equipped with ER collet nut wrench and pack in strong aluminium box.
- Long working life time due to system radial run-out less than 0.01mm.



Order No.	Shank Model	Collet	Wrench
122-04-S41	BT40-ER16-70	ER16: dia.2-3-4-5-6-7-8-9-10mm	W25D
122-04-S42	BT40-ER25-80	ER25: dia.3-4-5-6-8-10-12-14-16mm	YER25B
122-04-S43	BT40-ER32-60	ER32: dia.4-6-8-10-12-14-16-18-20mm	YER32B